



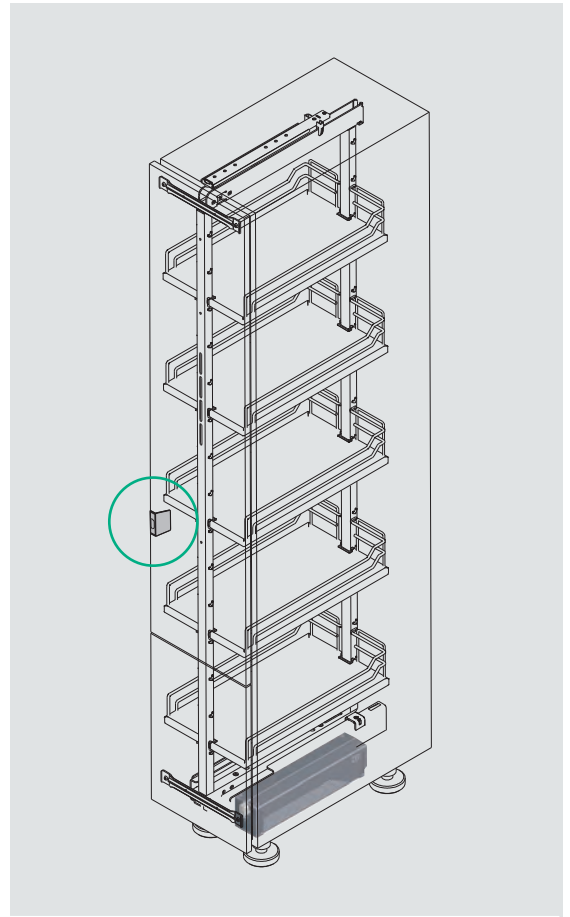
eTouch – electronic door opener.
Press gently for action!



New assisted opening now for **DISPENSA** larder units too!

With the new eTouch generation, Kesseböhmer transforms opening a cupboard into an emotional experience. The latest addition to Kesseböhmer's range of electronic openers is the eTouch for DISPENSA larder units. The fitting runs out in response to light pressure on the front. It works with any front thickness or material.

An eTouch opener can be retrofitted at any stage – with no loss of storage space!



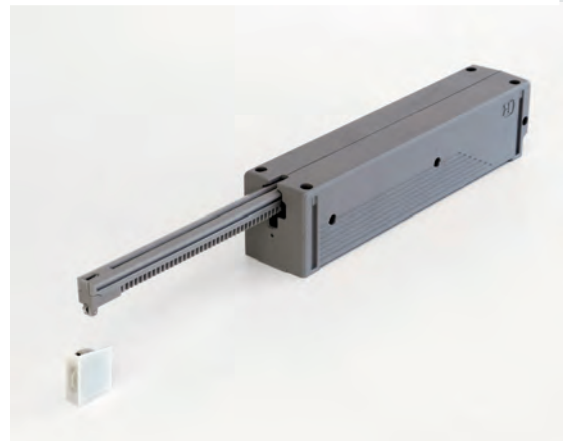
eTouch for DISPENSA larder units

for all cabinet widths – retrofittable!

Set (consists of front sensor and drive)

- with EU DIN plug
- with GB/UK plug
- with US/JP plug
- with AUS plug

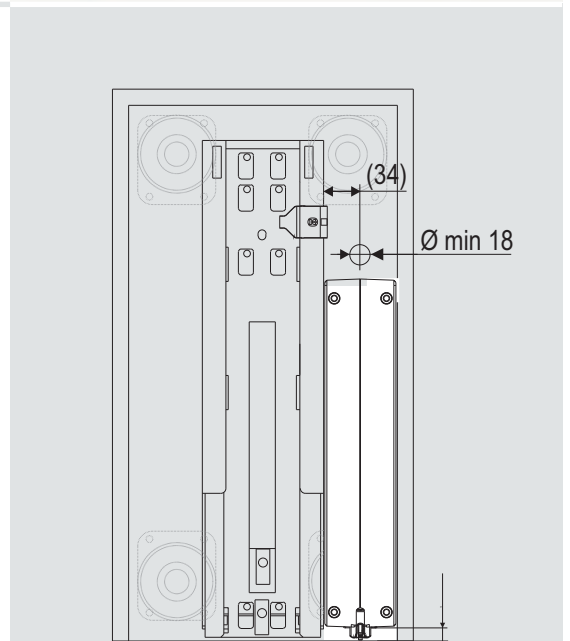
- 08 4246
- 08 4247
- 08 4248
- 08 4249



eTouch front sensor for DISPENSA larder units

for all cabinet widths – retrofittable!

Assembly	Drill hole / insert Assembly aids included
Power supply	Battery CR 2032 3V (included)
Motor	
Power connection on device side	Euro 8 per EN 60320/C8; 1,5 m cable black
Supply voltage	110-240 V AC, 50/60 Hz, ≥ 2 A
Rated power	60 W
Effective power in standby	<4 W
Dimensions	333 x 68 x 77 mm
Weight	1.6 kg
Push-out weight max.	120 kg
Housing colour	Grey (7930)
Product compatibility	DISPENSA-VVS with SoftStopp and SoftStopp Plus
Mounting materials (included)	4 spax screws 4.5 x 75 Assembly aid
Drive position	DISPENSA: against right side of runner
Electromotor supported	Opening

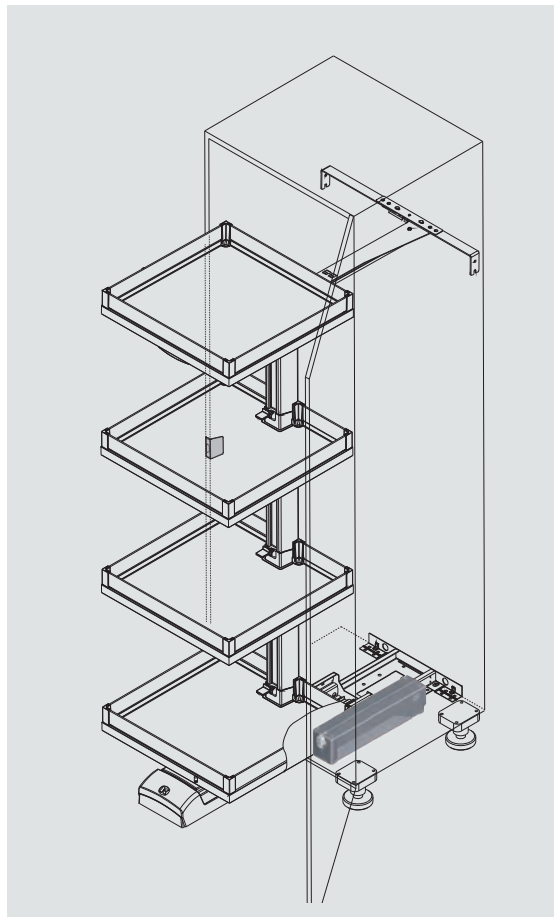




eTouch – intelligent technology for absolutely safe and reliable operation.

For fronts with or without handles – Kesseböhmer now offers the option of easy electronic opening for all CONVOY highboards! eTouch means free choice of kitchen style and layout – with no loss of storage space.

The compact opener is simple to install and can also be retrofitted without difficulty.

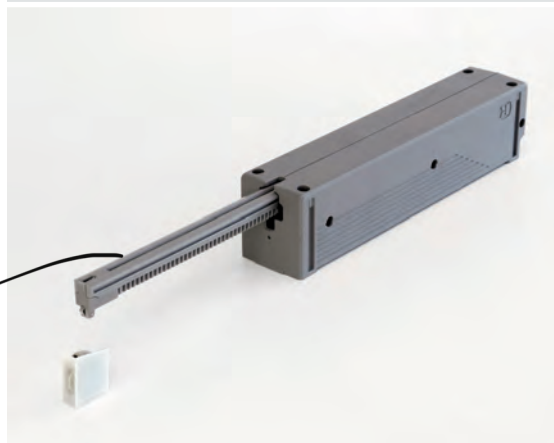


eTouch for CONVOY Premio

for all cabinet widths – retrofittable!
Set (consists of front sensor and drive)

- with EU DIN plug
- with GB/UK plug
- with US/JP plug
- with AUS plug

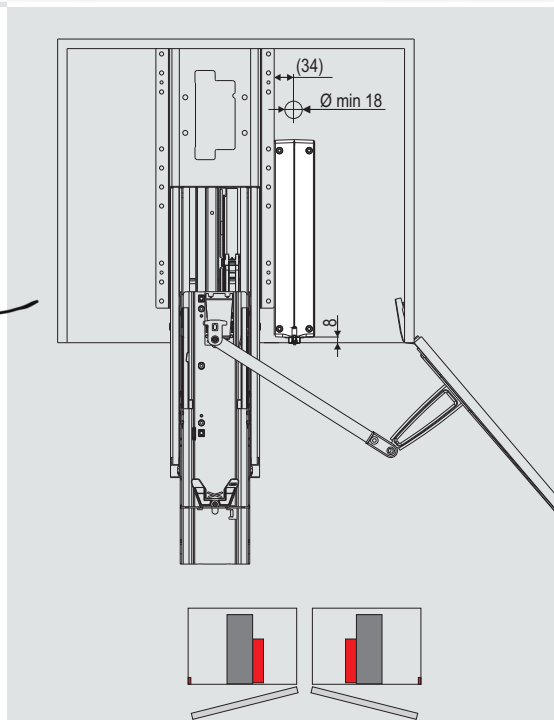
- 08 4246
- 08 4247
- 08 4248
- 08 4249

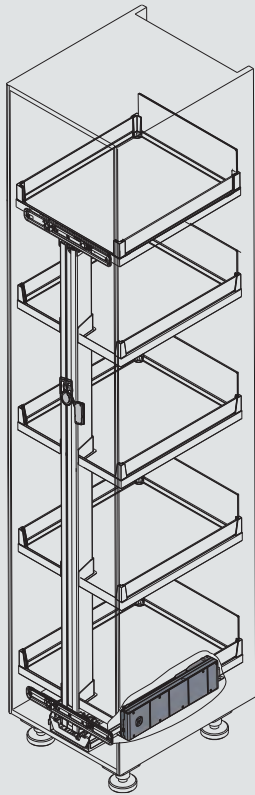


eTouch front sensor for CONVOY Premio

for all cabinet widths – retrofittable!

Assembly	Drill hole / insert Assembly aids included
Power supply	Battery CR 2032 3V (included)
Motor	
Power connection on device side	Euro 8 per EN 60320/C8; 1,5 m cable black
Supply voltage	110-240 V AC, 50/60 Hz, ≥ 2 A
Rated power	60 W
Effective power in standby	<4 W
Dimensions	333 x 68 x 77 mm
Weight	1.6 kg
Push-out weight max.	120 kg
Housing colour	Grey (7930)
Product compatibility	CONVOY Premio with SoftStopp Pro and SoftStopp Plus
Mounting materials (included)	4 spax screws 4.5 x 75 Assembly aid
Drive position	CONVOY Premio: on the hinge side
Electromotor supported	Opening

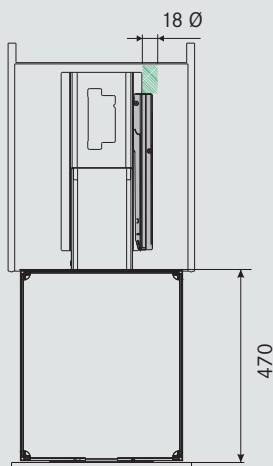




eTouch for CONVOY Centro

for all cabinet widths – retrofittable!
Set (consists of front sensor and drive)

- 00 2353** with EU DIN plug
- 00 2354** with GB/UK plug
- 00 2355** with US/JP plug
- 00 2356** with AUS plug



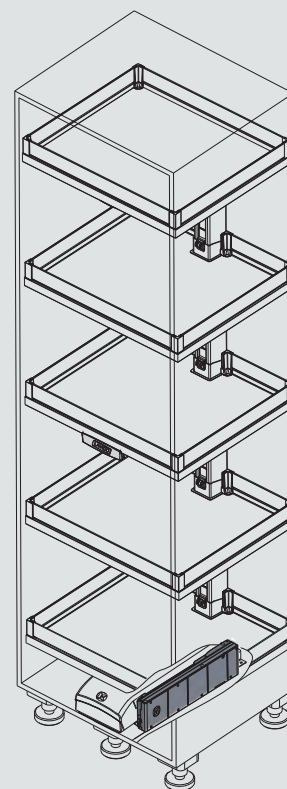
eTouch handle for CONVOY Centro

for all CONVOY Centro cabinet widths – retrofittable!

Assembly	Clip on and lock in place
Power supply	Battery CR 2032 3V (included)

Motor

Power connection on device side	Euro 8 per EN 60320/C8; 1,5 m cable black
Supply voltage	110-240 V AC, 50/60 Hz, ≥ 2 A
Rated power	60 W
Effective power in standby	<1 W
Dimensions	388 x 48 x 100 mm
Weight	1.2 kg
Push-out weight max.	120 kg
Housing colour	Grey (7930)
Product compatibility	CONVOY Centro with SoftStopp Pro and SoftStopp Plus
Mounting materials (included)	3 spax screws 4.5 x 100
Drive position	Against right side of runner
Electromotor supported	Opening and closing



eTouch for CONVOY Lavidò

for all cabinet widths – retrofittable!
Set (consists of front sensor and drive)

- with EU DIN plug
- with GB/UK plug
- with US/JP plug
- with AUS plug

- 00 2400**
- 00 2401**
- 00 2402**
- 00 2403**



eTouch handle for CONVOY Lavidò

for all CONVOY Lavidò cabinet widths – retrofittable!

Assembly	Glue in place
Power supply	Battery CR 2032 3V (included)

Motor

Power connection on device side	Euro 8 per EN 60320/C8; 1,5 m cable black
Supply voltage	110-240 V AC, 50/60 Hz, ≥ 2 A
Rated power	60 W
Effective power in standby	< 1 W
Dimensions	388 x 48 x 100 mm
Weight	1.2 kg
Push-out weight max.	120 kg
Housing colour	Grey (7930)
Product compatibility	CONVOY Lavidò with SoftStopp Pro and SoftStopp Plus
Mounting materials (included)	3 spax screws 4.5 x 100
Drive position	Against right side of runner
Electromotor supported	Opening and closing

