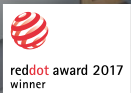


EXTENDO PULL-OUT SHELF

The flexible pull-out shelf that is right at home anywhere



swiss made

CONFIGURATIONS



Extendo Libell, white



Extendo Libell, silver



Extendo Libell, anthracite



Extendo Fioro, anthracite

DISTINGUISHING FEATURES



- Compatible with any kind of unit – even units with hinged doors or no doors at all
- Easy front access and a complete overview of contents when fully extended
- Great for storing tableware, pots and groceries
- Uses every last inch of space in the unit
- Shelves can be fully extended
- Can be fitted in any unit, whatever the width
- The metal shelves are extremely stable, even when they are very wide
- The shelves' rounded corners and edges make them easy to clean

OPTIONS



Adjustable extra shelves

These magnetic extra shelves can simply be placed on top of the shelves, and their angle can be adjusted. A practical solution that provides extra space for items like pot lids.



Non-slip mat

The non-slip mat stops the unit's contents from sliding around.



Divider

Magnetic dividers are a flexible way for you to organise the space on your shelves and stop stored items from falling out of the unit.

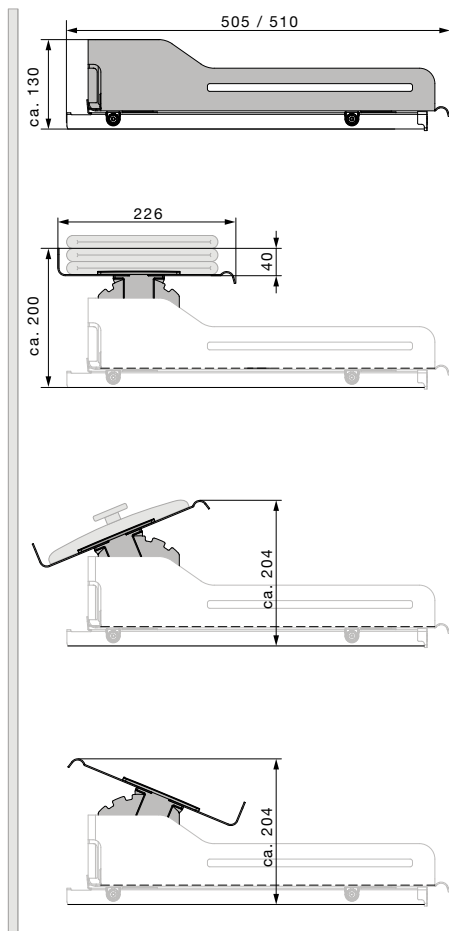
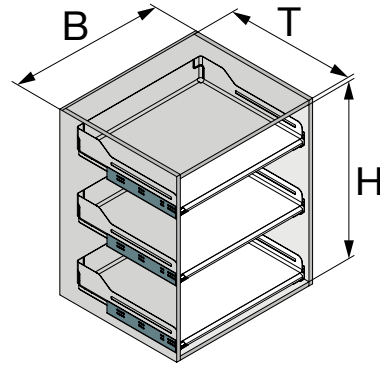


Wooden boxes

Handmade oak boxes of various sizes for storing and organising small items. You can stack and rearrange them however you like.

TECHNICAL ILLUSTRATION

B= Unit widths	300/400/450/500/600/900 mm
T= Interior depth	500 mm (without spacer) 510 mm (including spacer)
H= Interior height	see illustration below



Installation height without extra shelves

Installation height with extra shelves, horizontal

Installation height with extra shelves, tilted

Installation height with extra shelves, tilted